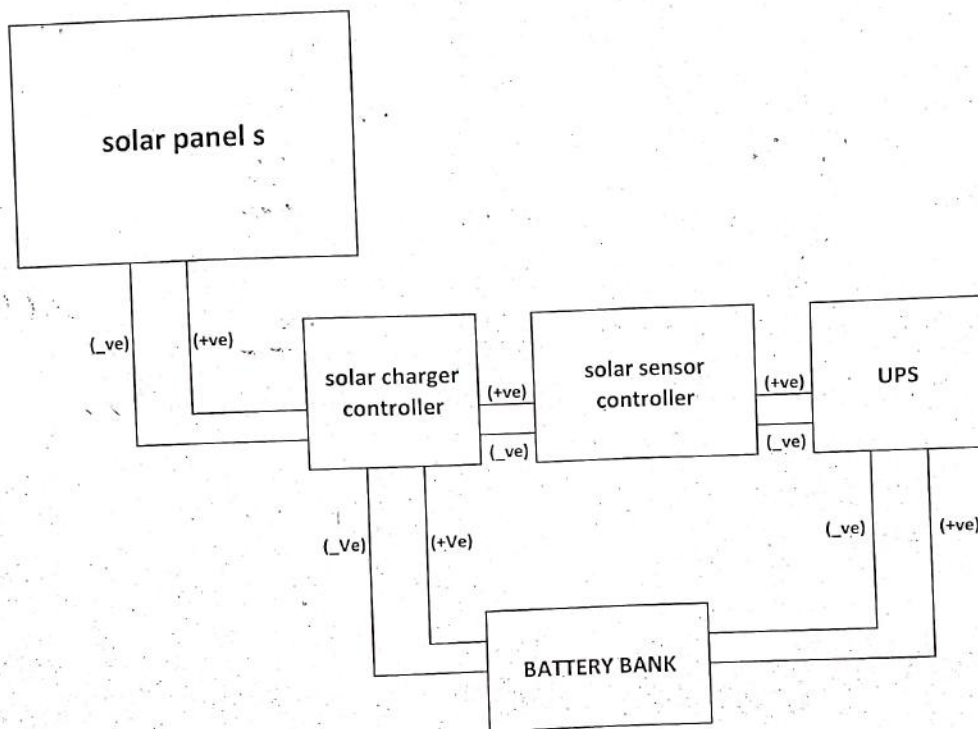


BILLS /PURCHASING DETAILS FOR SOLAR PLANT

SOLAR CHARGING LAYOUT SINGLE LINE DIAGRAM



PRITECH POWER LINKS
14/3A, G.S.T. Road, Periyar Salai,
Chengalpattu-603 001.
Ph:-2742 4831
TIN No. 33841602118

DELIVERY CHALLAN

PRITECH Power Links
AUTHORISED SALES & SERVICE PROVIDER



No. 14-3A, G.S.T. Road, Peryar Road,
Next : Clock Tower, Chengalpattu-1.
email: chengalpattupritech@gmail.com
Dial : 27424831, Mobile : 9380666831, 9384040400

DC No. **438** Date: **5-12-13**

To
M/s **Vidya Sagar College**

Mobile.....

PO Ref. No :

Vehicle No. / Delivered By :

Please receive the following good and kindly acknowledge the receipt

Sl.No.	DESCRIPTION	Quantity
	Solar Sencos Charge Controllers	1

Items Received in good conditions

For **PRITECH POWER LINKS**

R. S. Srinivasan
Customer Signature and Seal



Vinca Energy Solutions

for a sustainable future...

PROFORMA INVOICE

Vinca Energy Solutions J-F2, Subakeerthana, 1 st Cross St., Kilambakkam, Urapakkam, Chennai-603210. sales@vinca.co.in		Invoice No. VESL/INV/TN13008	Dated 16-Feb-2013	
		Order Form No. TN13008	TECHNO-COMMERCIAL PROPOSAL	
To Vidhya Sagar Arts & Science Coll. Chengalpattu. Tamil Nadu-603202, India.		2 kW - OFF GRID SOLAR POWER PLANT		
Sl. No	Description of Goods	Quantity	Unit Ex-Works Price	Amount
1.	Solar Power Generating System 125W/12V Mono-SPV Modules- 2 kW Charge controllers (No. Based on Design)	--	--	₹ 3,00,000.00
Total				₹ 3,00,000.00
Amount Chargeable (in words) INR Three lakhs thousand only.				E. & O.E
Terms & Condition				
Warranty*	Inverters	Panels	SPV Performance	
	--	5 Years	25 Years	
* from date of purchase				
Payment - 50% Advance payment, balance payment against delivery.				
Delivery - within 30 days from the date of confirmed order.				
Validity - Offer valid for 30 days.				
				For Vinca Energy Solutions
				Maaran.V.T

This is a Computer Generated Invoice

J-F2, Subakeerthana, 1st Cross Street, Kilambakkam, Urapakkam, Chennai – 603210

Ph: +91 9362450599 Mail: sales@vinca.co.in

www.vinca.co.in



Vinca Energy Solutions

for a sustainable future...

16. Feb.2013

To
Vidhya Sagar Arts & Science Coll.
Chengalpattu.
Tamil Nadu-603202, India.

Project Overview

Category: EPC – 2 kW

Specifications:

Solar Photovoltaic Modules:

- 125W Mono-crystalline Modules.
- 5 Years Product Warranty.
- 25 Years Performance Warranty.
- MNRE - Certified Panels.

Charge Controllers:

- Maximum efficiency (98.1%)
- Inbuilt MPPT tracking system.
- Noise free operation
- Electrical and Mechanical Design As per IEC
- Cabinet Enclosure class - IP55

Fittings:

- Galvanized Iron Fixtures.
- Tata BlueScope™ Products.
- TOP SOLAR – Flexible Conductor Class 5 PV Cables
- Gold Energy – MC 4 Solar Connectors

Design:

Load Sharing based Model

Estimated Approx. Duration:

30 Days from date of commencing

J-F2, Subakeerthana, 1st Cross Street, Kilambakkam, Urapakkam, Chennai – 603210
Ph: +91 9362450599 Mail: sales@vinca.co.in

www.vinca.co.in



Vinca Energy Solutions

for a sustainable future...

Company Overview

Vinca Energy Solutions was established as a proprietary concern in July 2012, at Chennai, Tamil Nadu, with services available in most major cities of south India. The company is promoted by a group of motivated Entrepreneurs and Professionals. The team is made up of engineers, designers, project managers, consultants, logistics and support staff. We come from a broad range of backgrounds including Electrical, Information Technology, Biotechnology, Mechanical, Shipping & Logistics and Management Accounting. Despite this huge diversity we are united in our belief that solar energy is a key solution to alleviate the growing energy crisis, and is vital for sustainability and combating global warming.

Business Profile

The company is engaged in design, consultancy, integration, supply, installation, commissioning & maintenance of off-grid and grid connected Solar Power Plants. Our products range consist of a selected portfolio of solar photo-voltaic modules, inverters, mounting systems and accessories that have gone through the strictest product approval process (IEC, MNRE) to ensure uncompromising quality. We are backed by an experienced team of design & integration experts and Consultants for our projects.

We deliver superior quality through our two complementary business segments:

- I. Roof top Power plants for Residential Applications
- II. Turnkey design of Solar PV plants for Institution and Commercial establishments.

Ever since our inception 2012, we have been avidly working to exceed the expectations of our clients with solutions that are customized to their specific needs. And also we remain committed in offering our clients with solutions of state-of-the-art technology redefining energy efficiency. Collaborating with some of the most prestigious Companies in the country has helped us reach newer heights.

J-F2, Subakeerthana, 1st Cross Street, Kilambakkam, Urapakkam, Chennai – 603210

Ph: +91 9362450599 Mail: sales@vinca.co.in

www.vinca.co.in



Vinca Energy Solutions

for a sustainable future...

Affiliations

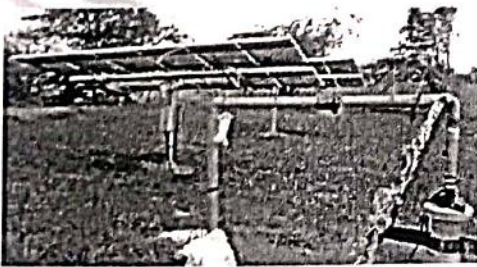
We are Certified System Integrators of Su-Kam Power Systems India (P) Ltd, a Channel Partner of MNRE, which enables us to offer solutions after subsidy which saves the waiting time for subsidy approvals to our clients. We also have the leading brands such as ABB, STAT-CON, SHARP, SMA and KOTAK URJA as our business partners. The products we procure are installed by highly qualified, trained and certified personnel of the respective company. This is being achieved through our collaboration and agreements with each and every manufacturer.

Business Model

We follow Collective Business Model, wherein we pool resources and information with our business partners. Every project we undertake has a group of consultants who have expertise in different aspects of integrating a solar solution. Our consultants differ from project to project hence they are selected solely based on their previous experiences. Through our unique work-flow process we create a knowledge cache for every project which gives us an edge over our competitors.

Completed Projects

1) Solar Water Pumps - EPC



Location: Bagepalli, Karnataka, 2012.

Total Number: 15 Units

Capacity: 45kW (3x15) kW

Pumps Spec: 30HP (2x15) HP water Pumps

Consultant: Synergie Precisions (P) Ltd. Bangalore

J-F2, Subakeerthana, 1st Cross Street, Kilambakkam, Urapakkam, Chennai – 603210

Ph: +91 9362450599 Mail: sales@vinca.co.in

www.vinca.co.in



Vinca Energy Solutions

for a sustainable future...

2) Grid-Tied Power Plant

Millenium Synergy Pvt Ltd.

Location: Gujrat, 2013.

Role: Fixture Design Support

Capacity: 100kW

Consultant: Synergie Precisions (P) Ltd. Bangalore

3) Residential – Roof top

Location – Chennai & Vellore, 2012~13.

Capacity – 250w ~ 3kW

No. of Projects – 5

Total Installed Capacity – 7kW

Consultant – Vispra Power Controls, Coimbatore.

Product Brands – Kotal Urja, Su-Kam & STAT-CON.

List of Consultants

1. Synergie Precisions, Bangalore.
2. Vispra Power Controls, Coimbatore.
3. SMA, Mumbai.
4. Tata BlueScope, Chennai.
5. Freelance consultants – IIT, Delhi, Chennai.

List of Business Partners

1. ABB India, Bangalore.
2. Su-Kam, Gurgaon.
3. Kotak Urja, Bangalore.
4. GE, India.
5. STAT-CON, Delhi.

Gallery: <http://www.vinca.co.in/#!/gallery/c1emz>

J-F2, Subakeerthana, 1st Cross Street, Kilambakkam, Urapakkam, Chennai – 603210

Ph: +91 9362450599 Mail: sales@vinca.co.in

www.vinca.co.in

MCA Building

PROFORMA INVOICE

Anushri Systech Private Limited

"Bringing the sun down to earth"

NO: A1- Sasi Apartments, 158 A, R K mutt Road, R A Puram, Chennai 600028

To,

Date: 20/12/2012

10 KW SOLAR POWER PLANT ONGRID

Kind attn :

Sl. No	Description	Unit	Unit Price	No. of Units	Total Amount
	10 KW SOLAR POWER PLANT				9,00,000
1	10 KW SOLAR POWER PLANT			36X285 Watts	
2	10 KW PCU ✓			1	
	Price after discounting the Subsidy				
4	Mounting Frames(14000Sq.ft) (only mounting on floor of ceiling) (a place ideally available for solar)				
5	Wiring Materials (Panel to Inverter)				
6	Installation & Commissioning				
NETT AMOUNT FOR PROJECT					9,00,000
Rupees in words :		Rupees Nine Hundred Thousand Only			

1. Payment Term:

Payment through LC with Bank.

2. Delivery:

30 days from the date of receipt of your confirmed order along with the Payment

1 KVM - 5 UNITS -

3. Warranty Period:

We stand warranty for all our products against Defective materials/Faulty workmanship
Generally we give 10 years warranty for solar panels, 2 years warranty for PCU
(Power Conditioning Unit) Battery - 5 Years Warranty

4. The civil foundation works is to be done by yourself, as per our drawings / instructions.

5. This quotation is valid for 30 days.

6. We supply Canadian Solar Module for Panel.

7. Transport Extra

9. Excise duty, Vat & Service Taxes Extra as applicable.

10. We have given costing for Supply of Module, Inverter & Batteries &
Erection, Installation & Commissioning of the total project

Thanking you,

Yours faithfully,

For Anushri systech private limited

S.Umashankar
Managing Director



10 KW. - 9,00,000/-
Approved: By Board

Payment Terms: — Advance Payment 50%
Installation Cost 50%

Order may please be placed:
Tushey
Milk Milk Kople
10/2/2013



Vinca Energy Solutions

for a sustainable future...

PROFORMA INVOICE

Vinca Energy Solutions J-F2, Subakeerthana 1st Cross St., Kilambakkam, Urapakkam, Chennai-603210. sales@vinca.co.in	Invoice No. VESL/PINV/TN /13008 /6	Dated 26 February 2013		
	Order Form No. TN13008	TECHNO-COMMERCIAL PROPOSAL		
To Vidhya Sagar Arts & Science Coll. Chengalpattu. Tamil Nadu-603202, India.	2kW SOLAR POWER SYSTEM (With Batteries)			
No.	Description of Goods	Quantity	Unit Ex-Works Price	Amount
1	Su-Kam Solar Power Generating System 250W/24V Monocrystalline-SPV Modules	8	₹ 14,375.00	₹ 1,15,000.00
2	Solar Power Conditioning Unit 2KVA/48V, Su-Kam Stellar +	1	₹ 55,000.00	₹ 55,000.00
3	Batteries 12V/150Ah Batteries - Tall Tubular	8	₹ 14,000.00	₹ 1,12,000.00
4	Fittings Civil work & Electrical wiring	-	-	₹ 40,000.00
Amount Chargeable (in words) INR Three lakh twenty two thousand only			TOTAL	₹ 3,22,000.00 <i>E. & O.E</i>

Terms & Condition

Warranty*	Electronics	Battery	SPV Performance
	24 Months	48 Months	25 Years

* from date of purchase

Payment - 50% Advance Payment, balance payment against delivery.

Delivery - Ex-Stock or within 20 days from the date of confirmed order.

Taxes - Price is Inclusive of all taxes

Subsidy - Price is Nett of Subsidy

Validity - Offer Valid for 30 days

For Vinca Energy Solutions

Maaran.V.T

J-F2, Subakeerthana, 1st Cross Street, Kilambakkam, Urapakkam, Chennai – 603210

Ph: 044-65644322, +91 9362450599 Mail: sales@vinca.co.in

www.vinca.co.in



Vinca Energy Solutions

for a sustainable future...

26. Mar..2013

To
Vidhya Sagar Arts & Science Coll.
Chengalpattu.
Tamil Nadu-603202, India.

Project Overview

Category: EPC – 2 kW (Nett of Subsidy)

Specifications

Solar Photovoltaic Modules:

- Su-Kam 250W Mono-crystalline Modules.
- 25 Years Performance Warranty.
- MNRE - Certified Panels.

Power Conditioning Unit:

- Su-Kam 2KVA/48V PCU
- DSP based design with Digital & Graphical parameters
- Noiseless Operation

Batteries:

- Su-Kam 12V/150Ah, Tall Tubular Batteries
- 48 Months Warranty

Subsidy

- Product is Nett of subsidy.

Estimated Approx. Duration:

45 Days from date of commencing

Bankers Details:

Bank Name: Indian Overseas Bank

Account Type/No. : CA-091802000001406

RTGS/NEFT IFSC: IOBA0000918

Branch: Neyveli Main-918, Main Bazaar, Neyveli-3.

J-F2, Subakeerthana, 1st Cross Street, Kilambakkam, Urapakkam, Chennai – 603210
Ph: +91 9362450599 Mail: sales@vinca.co.in

www.vinca.co.in



Vinca Energy Solutions

for a sustainable future...

PROFORMA INVOICE

Vinca Energy Solutions J-F2, Subakeerthana 1st Cross St., Kilambakkam, Urapakkam, Chennai-603210. sales@vinca.co.in		Invoice No. VESL/PINV/TN /13008 /5	Dated 26 March 2013	
		Order Form No. TN13008	TECHNO-COMMERCIAL PROPOSAL	
To Vidhya Sagar Arts & Science Coll. Chengalpattu. Tamil Nadu-603202, India.		2kW SOLAR POWER SYSTEM (With Batteries)		
No.	Description of Goods	Quantity	Unit Ex-Works Price	Amount
1	Solar Power Generating System I) 2KVA/48V, Solar PCU II) 8 x 250W SPV Modules, <i>monocrystalline</i> III) 8 x 12V, 150Ah Batteries IV) Installation	1	₹ 3,22,000.00	₹ 3,22,000.00
Amount Chargeable (in words) INR Three lakh twenty two thousand only			TOTAL	₹ 3,22,000.00 <i>E. & O.E</i>

Terms & Condition

Warranty*	Electronics	Panels	SPV Performance
	24 Months	60 Months	25 Years

* from date of purchase

Payment - 50% Advance Payment, balance payment against delivery.

Delivery - Ex-Stock or within 30 days from the date of confirmed order.

Validity - Offer Valid for 30 days

For Vinca Energy Solutions

Maaran.V.T

J-F2, Subakeerthana, 1st Cross Street, Kilambakkam, Urapakkam, Chennai – 603210

Ph: 044-65644322, +91 9362450599 Mail: sales@vinca.co.in

www.vinca.co.in



Vinca Energy Solutions

for a sustainable future...

25. Mar..2013

To

Vidhya Sagar Arts & Science Coll.

Chengalpattu.

Tamil Nadu-603202, India.

Project Overview

Category: EPC – 2.4 kW (Nett of Subsidy)

Specifications

Solar Photovoltaic Modules:

- 150W Poly-crystalline Modules.
- 5 Years Product Warranty.
- 25 Years Performance Warranty.
- MNRE - Certified Panels.

Charge Controllers:

- MPPT accuracy 99.5%
- Conversion efficiency ~96%
- Fan controlled cooling
- LCD display with simple function keys and status display on LED
- Charging current and voltage are adjustable according to different battery types
- Communication interface provided with RS232

Subsidy

- Offer is Nett of subsidy and will be claimed by the Integrator on Customer's behalf.
- Products eligible for subsidy – Panels and Charge controllers
- Installation charges exclusive of subsidy.

Design:

Load Sharing based Model

Estimated Approx. Duration:

30 Days from date of commencing

J-F2, Subakeerthana, 1st Cross Street, Kilambakkam, Urapakkam, Chennai – 603210

Ph: +91 9362450599 Mail: sales@vinca.co.in

www.vinca.co.in



Vinca Energy Solutions

for a sustainable future...

PROFORMA INVOICE

Vinca Energy Solutions J-F2, Subakeerthana, 1 st Cross St., Kilambakkam, Urapakkam, Chennai-603210. sales@vinca.co.in		Invoice No. VESL/INV/TN13008/1	Dated 25-Mar-2013	
		Order Form No. TN13008	TECHNO-COMMERCIAL PROPOSAL	
To Vidhya Sagar Arts & Science Coll. Chengalpattu. Tamil Nadu-603202, India.		2.4 kW - OFF GRID SOLAR POWER PLANT		
Sl. No	Description of Goods	Quantity	Unit Ex-Works Price	Amount
1.	Solar Power Generating System <i>150W/12V SPV Modules- 2.4 kW</i>	16	--	₹ 1,44,800.00
2.	MPPT Charge Controllers <i>40A/48V MPPT Charge Controllers</i>	4	--	₹ 1,09,200.00
3	Fittings & Installation	--	--	₹ 35,500.00
Total				₹ 2,89,500.00
Amount Chargeable (in words) INR Two lakhs eighty nine thousand five hundred only.				<i>E. & O.E</i>
Terms & Condition				
Warranty*	Charge Controllers	Panels	SPV Performance	
	12 Months	5 Years	25 Years	
<i>* from date of purchase</i>				
Payment	- 80% Advance payment, balance payment against delivery.			
Delivery	- within 30 days from the date of confirmed order.			
Validity	- Offer valid for 30 days.			
				For Vinca Energy Solutions
				Maaran.V.T

This is a Computer Generated Invoice

J-F2, Subakeerthana, 1st Cross Street, Kilambakkam, Urapakkam, Chennai – 603210

Ph: +91 9362450599 Mail: sales@vinca.co.in

www.vinca.co.in



Vinca Energy Solutions

for a sustainable future...

PROFORMA INVOICE

Vinca Energy Solutions J-F2, Subakeerthana 1st Cross St., Kilambakkam, Urapakkam, Chennai-603210. sales@vinca.co.in		Invoice No. VESL/PINV/TN /13008 /4	Dated 25 March 2013	
		Order Form No. TN13008	TECHNO-COMMERCIAL PROPOSAL	
To Vidhya Sagar Arts & Science Coll. Chengalpattu. Tamil Nadu-603202, India.		2kW SOLAR POWER SYSTEM (With Batteries)		
No.	Description of Goods	Quantity	Unit Ex-Works Price	Amount
1	Solar Power Generating System I) 2KVA/48V, Solar PCU II) 8 x 250W SPV Modules, III) 4 x 12V, 150Ah Batteries 8 X 12V IV) Installation	1	₹ 2,66,000.00 322000	₹ 2,66,000.00
Amount Chargeable (in words) INR Two lakh sixty six thousand only			TOTAL	₹ 2,66,000.00 <i>E. & O.E</i>

Terms & Condition

Warranty*	Electronics	Panels	SPV Performance
	24 Months	60 Months	25 Years

* from date of purchase

Payment - 50% Advance Payment, balance payment against delivery.

Delivery - Ex-Stock or within 30 days from the date of confirmed order.

Validity - Offer Valid for 30 days

For Vinca Energy Solutions

Maaran.V.T

J-F2, Subakeerthana, 1st Cross Street, Kilambakkam, Urapakkam, Chennai – 603210

Ph: 044-65644322, +91 9362450599 Mail: sales@vinca.co.in

www.vinca.co.in



Vinca Energy Solutions

for a sustainable future...

PROFORMA INVOICE

Vinca Energy Solutions J-F2, Subakeerthana 1st Cross St., Kilambakkam, Urapakkam, Chennai-603210. sales@vinca.co.in	Invoice No. VESL/PINV/TN /13008 /3	Dated 25 March 2013		
	Order Form No. TN13008	TECHNO-COMMERCIAL PROPOSAL		
To Vidhya Sagar Arts & Science Coll. Chengalpattu. Tamil Nadu-603202, India.	2kW SOLAR POWER SYSTEM (Without Batteries)			
No.	Description of Goods	Quantity	Unit Ex-Works Price	Amount
1	Solar Power Generating System I) 2KVA/48V, Solar PCU → <i>winner</i> II) 8 x 250W SPV Modules, - <i>panels</i> III) Installation	1	₹ 2,10,000.00	₹ 2,10,000.00
			TOTAL	₹ 2,10,000.00
Amount Chargeable (in words) INR Two lakh ten thousand only				E. & O.E

Terms & Condition

Warranty*	Electronics	Panels	SPV Performance
	24 Months	60 Months	25 Years

* from date of purchase

Payment - 50% Advance Payment, balance payment against delivery.
Delivery - Ex-Stock or within 30 days from the date of confirmed order.
Validity - Offer Valid for 30 days

For Vinca Energy Solutions

Maaran.V.T

J-F2, Subakeerthana, 1st Cross Street, Kilambakkam, Urapakkam, Chennai – 603210

Ph: 044-65644322, +91 9362450599 Mail: sales@vinca.co.in

www.vinca.co.in